

ADDENDUM NO. 2

Inspire Academy Mechanical Systems Upgrade

November 4, 2021

To: Planholders

From: Mote & Associates, Inc.
214 West Fourth Street
Greenville, Ohio 45331

Phone: (937) 548-7511
Fax: (937) 548-7484
E-mail: info@moteassociates.com

Re: Inspire Academy
Mechanical Systems Upgrade

This Addendum forms a part of the Contract Documents and modifies the original Contract Documents dated October 2021 and Addendum #1 dated October 27, 2021. Acknowledge receipt of this Addendum in the space provided on the Bid Proposal form. Failure to do so may subject the Bidder to disqualification.

CHANGES/CLARIFICATIONS TO THE BIDDING DOCUMENTS:

1. ADVERTISEMENT FOR BIDS, SECTION 00 11 13

The Bid opening date for this project will be extended. Addendum #3 will be issued to establish the revised Bid opening date and time. Bidders may continue to ask questions. Addendum #3 will specify a revised last date for questions.

2. REVISED BID FORM – ATTACHMENT I, SECTION 00 41 44

Article 6 – Time of Completion, Section 6.02 has been deleted. Liquidated damages will not be applied to this contract for late completion. See Revised Bid Form II – Attachment I.

Please note, any/all provisions throughout the Contract Document Manual that require applicability of Liquidated damages to the Contract are hereby deleted.

3. DAVIS BACON WAGE DETERMINATION SCHEDULE, SECTION 00 75 52

The “Building” General Wage Decision has been modified. The revised Building Wage Decision dated 10/29/2021 with 18 modifications is attached hereto and are the wage rates that will be in effect for this project.

CHANGES/CLARIFICATIONS TO THE TECHNICAL SPECIFICATIONS:

4. INSTRUMENTATION AND CONTROLS, SECTION 23 09 00

Article 2.04.D – The following sentence shall be added, “Control valves shall be fully modulating and shall be furnished by the equipment manufacturer indicated to control the valve, either the Vertical Unit Ventilator manufacturer for the Cafeteria valves or the Packaged Rooftop Unit manufacturer for the Gymnasium heating coil valves.”

5. HYDRONIC PIPING, SECTION 23 21 13

Article 2.01, Copper Tube and Fittings – The following shall be added as follows:

2.01.D Viega ProPress and MegaPress fittings may be used on all piping subject to compliance with all recommendations of Viega.

6. DIFFUSERS, REGISTERS, AND GRILLES, SECTION 23 37 13

This technical specification shall be added and is attached hereto.

7. PACKAGED ROOFTOP ELECTRIC COOLING UNITS, 15 TO 30 TONS, SECTION 23 74 15

Article 2.02 Rooftop Units 3 to 10 Tons shall be changed to “Rooftop Units”.

CHANGES/CLARIFICATIONS TO THE CONSTRUCTION DRAWINGS:

8. DRAWING G1-01, BUILDING MODIFICATIONS PLAN

- A. In Addendum #1, make the following changes to Item 4.A, Vertical Unit Ventilator Accessories and Installation Notes:

Paragraph 1 shall read as follows:

“The top discharge plenum shall be lined, shall be the same depth as the Vertical Unit Ventilator, shall extend upward to the ceiling of the room, shall extend 24 inches beyond each side of the Vertical Unit Ventilator, and shall be supported entirely by the Vertical Unit Ventilator beneath it. The discharge plenum shall have two front discharge grilles, both 18 inches square centered in the height of the discharge plenum and located 2 inches from each end of the discharge plenum.”

- B. In Addendum #1, make the following changes to Item 4.A, Vertical Unit Ventilator Accessories and Installation Notes:

In Paragraph 3, the following sentence shall be added to the end of the first sentence, “except where beneath the top discharge plenum the enclosure piece may terminate tight to the bottom of the discharge plenum”

- C. Sketch SK-G1-01-A, Roof Curb Support Details shall be added. See attached.

9. DRAWING M0-01, MECHANICAL NOTES, LEGENDS, SCHEDULES

Note 16.c shall be added as follows: “Each RTU and each VUV shall have a condensate drain pan overflow switch that will shut off the unit if the condensate drain pan becomes filled with water.”

10. DRAWING E0-01, ELECTRICAL NOTES, LEGENDS, DETAILS and DRAWING E1-01, ELECTRICAL PLAN

The power source circuit breakers in Panelboard BP shall be changed as follows:

Connect the power circuit serving Heating Water Pump HWP-1 to a circuit breaker in spaces 32-34-36 and connect the power circuit serving Heating water Pump HWP-2 to a circuit breaker in spaces 35-37-39. Provide new circuit breakers that are UL listed for use in this panelboard model for these

pump circuits. Connect the power circuit serving the new water heater to the existing spare 20 amp circuit breaker in breaker space 12.

GENERAL CLARIFICATIONS

11. Bidders may continue to submit questions until after Addendum #3 is issued. Addendum #3 will state the last date that Bidders may submit questions.

End of Addendum

Attachments: Section 00 41 44, Revised Bid Form II – Attachment I
Section 00 75 52, Wage Determination Schedule (10/29/2021)
Section 23 37 13, Diffusers, Registers, and Grilles
Sketch SK-G1-01-A, Roof Curb Support Details

REVISED BID FORM II – ATTACHMENT I

00 41 44

ARTICLE 1 - BID RECIPIENT

- 1.01 This Bid is submitted to: **[Inspire Academy, Attn: Leslie Draper, 2801 East 16th Street, Muncie, Indiana 47302].**
- 1.02 The undersigned Bidder proposes and agrees, if this Bid is accepted, to enter into an Agreement with Owner in the form included in the Bidding Documents to perform all Work as specified or indicated in the Bidding Documents for the prices and within the times indicated in this Bid and in accordance with the other terms and conditions of the Bidding Documents.

ARTICLE 2 - BIDDER'S ACKNOWLEDGEMENTS

- 2.01 Bidder accepts all of the terms and conditions of the Instructions to Bidders, including without limitation those dealing with the disposition of Bid security. This Bid will remain subject to acceptance for 60 days after the Bid opening, or for such longer period of time that Bidder may agree to in writing upon request of Owner.

ARTICLE 3 - BIDDER'S REPRESENTATIONS

3.01 In submitting this Bid, Bidder represents that:

- A. Bidder has examined and carefully studied the Bidding Documents, and any data and reference items identified therein, and hereby acknowledges receipt of the following Addenda:

Addendum No.

Addendum, Date

_____	_____
_____	_____
_____	_____

- B. Bidder has visited the Site, conducted a thorough, alert visual examination of the Site and adjacent areas, and become familiar with and satisfied itself as to the general, local, and Site conditions that may affect cost, progress, and performance of the Work.
- C. Bidder is familiar with and has satisfied itself as to all Laws and Regulations that may affect cost, progress, and performance of the Work.
- D. Bidder has carefully studied all: (1) reports of explorations and tests of subsurface conditions at or adjacent to the Site and all drawings of physical conditions relating to existing surface or subsurface structures at the Site that have been identified in the Supplementary Conditions, especially any Technical Data in such reports and drawings, and (2) reports and drawings relating to Hazardous Environmental Conditions, if any, at or adjacent to the Site that have been identified in the Supplementary Conditions, especially any Technical Data in such reports and drawings.
- E. Bidder has considered the information known to Bidder itself; information commonly known to contractors doing business in the locality of the Site; information and observations obtained from visits to the Site; the Bidding Documents; and any Site-related reports and drawings identified in the Bidding Documents, with respect to the effect of such information, observations, and documents on (1) the cost, progress, and performance of the Work; (2) the means, methods, techniques, sequences, and procedures of construction to be employed by Bidder; and (3) Bidder's safety precautions and programs.

- F. Bidder agrees, based on the information and observations referred to in the preceding paragraph, that no further examinations, investigations, explorations, tests, studies, or data are necessary for the determination of this Bid for performance of the Work at the price bid and within the times required, and in accordance with the other terms and conditions of the Bidding Documents.
- G. Bidder is aware of the general nature of work to be performed by Owner and others at the Site that relates to the Work as indicated in the Bidding Documents.
- H. Bidder has given Engineer written notice of all conflicts, errors, ambiguities, or discrepancies that Bidder has discovered in the Bidding Documents, and confirms that the written resolution thereof by Engineer is acceptable to Bidder.
- I. The Bidding Documents are generally sufficient to indicate and convey understanding of all terms and conditions for the performance and furnishing of the Work.
- J. The submission of this Bid constitutes an incontrovertible representation by Bidder that Bidder has complied with every requirement of this Article, and that without exception the Bid and all prices in the Bid are premised upon performing and furnishing the Work as required.
- K. Bidder agrees that the Owner reserves the right to reject any or all bids, to waive any informalities or irregularities in the bids received, and to accept that bid which is considered lowest and to the best interest of the Owner.

ARTICLE 4 - BIDDER'S CERTIFICATION

4.01 Bidder certifies that:

- A. This Bid is genuine and not made in the interest of or on behalf of any undisclosed individual or entity and is not submitted in conformity with any collusive agreement or rules of any group, association, organization, or corporation;
- B. Bidder has not directly or indirectly induced or solicited any Bidders to submit a false or sham Bid;
- C. No person interested in this Proposal is directly or indirectly interested in or connected with any other bid or proposal for the said work and no member of the Inspire Academy is directly or indirectly interested therein, or in any portion thereof, and he will, if required, execute and submit from himself as Principal Contractor and from any Subcontractor, the non-collusion affidavits as provided herein.
- D. Bidder has not solicited or induced any individual or entity to refrain from bidding; and
- E. Bidder has not engaged in corrupt, fraudulent, collusive, or coercive practices in competing for the Contract. For the purposes of this Paragraph 4.01.D:
 - 1. "corrupt practice" means the offering, giving, receiving, or soliciting of anything of value likely to influence the action of a public official in the bidding process;
 - 2. "fraudulent practice" means an intentional misrepresentation of facts made (a) to influence the bidding process to the detriment of Owner, (b) to establish bid prices at artificial non-competitive levels, or (c) to deprive Owner of the benefits of free and open competition;
 - 3. "collusive practice" means a scheme or arrangement between two or more Bidders, with or without the knowledge of Owner, a purpose of which is to establish bid prices at artificial, non-competitive levels; and
 - 4. "coercive practice" means harming or threatening to harm, directly or indirectly, persons or their property to influence participation in the bidding process or execution of the Contract.

ARTICLE 5 - BASIS OF BID

- 5.01 Bidder agrees that any item not specifically shown or called out on the plans or within the specifications, but is required to complete the work in place and fully operational shall be included in the Lump Sum Bid provided.
- 5.02 Bidder will complete the Work in accordance with the Contract Documents for the following price(s) and will contract to do all the work and furnish all the materials called for by said plans and specifications, and in consideration thereof, to accept from the Owner as full payment for the completion of all items and any required maintenance thereof as hereinafter provided, for the following prices that are accepted for one Contract as defined below;

MECHANICAL SYSTEMS UPGRADE

<i>Lump Sum Bid</i>	<i>Total Lump Sum Bid</i>
Lump Sum Bid to provide all labor, materials, and equipment to replace the gym HVAC, cafeteria HVAC, boiler room building loop pumps and piping, and all exhaust fans throughout the building. This Bid also includes five (5) repairs to leaks in the Hydronic Main Pipe and five (5) repairs to leaks in the Hydronic Branch Pipe as well as flushing and cleaning of existing piping and pressure testing the piping system twice; once to determine any leaking locations and once after repairing all discovered leaking locations. The Lump Sum Bid shall include all necessary draining and refilling of the piping system.	\$

Total Lump Sum Bid (in words) _____

Rooftop Air-Conditioning Unit Manufacturer Proposed: _____

Vertical Unit Ventilator Manufacturer Proposed: _____

MECHANICAL SYSTEMS UPGRADE – Unit Prices

To accommodate a decrease or increase in the repair of leaks in the Hydronic main pipe and branch pipe, a unit price shall be provided for the five repairs that are included in the Lump Sum Bid. This will allow the owner to increase or decrease the actual work for the number of repairs required in the pipes that may develop during flushing and pressure testing of the pipes.

Unit Price #1 – Repair Leak in Hydronic Main Pipe

<p>1) Exposing all discovered pipe leaks in piping 2-1/2 inches and larger by removing a portion of ceiling and pipe insulation.</p> <p>2) Removing the leaking portion of pipe and/or fittings in a segment of pipe up to 5 feet long.</p> <p>3) Replacing removed piping and components with matching materials and replacing removed insulation and ceiling materials.</p> <p>4) This Unit Price does not include either asbestos abatement or furnishing new valves at leaking areas. The Owner will have any discovered asbestos removed at the Owners expense, but the Contractor shall coordinate the scheduling of the abatement work. The Owner will furnish any valves to be replaced at the Owner’s cost and the Contractor shall install the valves and include the cost of this installation in the Unit Price.</p>	<p>Unit Price for each of the five (5) repairs included in the Lump Sum Base Bid:</p> <p>\$ _____ Each</p>
--	--

Unit Price #2 – Repair Leak in Hydronic Branch Pipe

<p>1) Exposing all discovered pipe leaks in piping 2 inches and smaller by removing a portion of ceiling and pipe insulation.</p> <p>2) Removing the leaking portion of pipe and/or fittings in a segment of pipe up to 5 feet long.</p> <p>3) Replacing removed piping and components with matching materials and replacing removed insulation and ceiling materials.</p> <p>4) This Unit Price does not include either asbestos abatement or furnishing new valves at leaking areas. The Owner will have any discovered asbestos removed at the Owners expense but the Contractor shall coordinate the scheduling of the abatement work. The Owner will furnish any valves to be replaced at the Owner’s cost and the Contractor shall install the valves and include the cost of this installation in the Unit Price.</p>	<p>Unit Price for each of the five (5) repairs included in the Lump Sum Base Bid:</p> <p>\$ _____ Each</p>
--	--

Bidder acknowledges that:

(1) If this Proposal shall be accepted, Bidder will be prepared to discuss with the Inspire Academy in detail any matters relating to special features and the methods proposed to be followed for the general conduct of the work, that within ten (10) days after "Notice of Award" the Contract Form with the Inspire Academy for performance of the work will be completed and Bidder will furnish a Contract Bond in an amount not less than one hundred percent (100%) of the total bid amount, and with sureties subject to the approval of the Inspire Academy as a guarantee of the faithful performance of this Contract; and that Bidder will also submit the required insurance certificates.

ARTICLE 6 - TIME OF COMPLETION

6.01 Bidder agrees that the Work will be completed by **July 8, 2022** and ready for final payment in accordance with Paragraph 15.06 of the General Conditions on or before **July 22, 2022**.

ARTICLE 7 - ATTACHMENTS TO THIS BID

7.01 The following documents are submitted with and made a condition of this Bid:

- A. Required bid security consisting of a _____ (Bond or Check) in the sum of \$_____ of the total bid amount accompanies this Proposal and the undersigned agrees that should he, after notice of "Award of Contract" fail to execute the Contract and Contract Bond as aforesaid, that his Certified Check or Bid Bond accompanying this Proposal shall be forfeited to the Inspire Academy as liquidated damage caused by such failure.
- B. Affidavit for Corporation;
- C. Required Bidder Qualification Statement with supporting data;
- D. List of Proposed Subcontractors; and
- E. Non-Collusion Affidavit.

ARTICLE 8 - DEFINED TERMS

8.01 The terms used in this Bid with initial capital letters have the meanings stated in the Instructions to Bidders, the General Conditions, and the Supplementary Conditions.

ARTICLE 9 – BID SUBMITTAL

BIDDER: *[Indicate correct name of bidding entity]:*

By: *[Signature]* _____ *Printed Name:* _____
(If Bidder is a corporation, limited liability company, partnership or joint venture, attach evidence of authority to sign.)

Address for giving notices: _____

Telephone Number: _____ Fax Number: _____

Contact Name and e-mail address: _____

Bidder's Federal ID No.: _____

DAVIS BACON WAGE DECISION SCHEDULE

00 75 52

"General Decision Number: IN20210002 10/29/2021

Superseded General Decision Number: IN20200002

State: Indiana

Construction Type: Building

Counties: Adams, Allen, Bartholomew, Benton, Blackford, Boone, Carroll, Cass, Clinton, DeKalb, Delaware, Fountain, Fulton, Grant, Hamilton, Hancock, Hendricks, Howard, Huntington, Jay, Johnson, Madison, Marion, Miami, Monroe, Montgomery, Morgan, Noble, Shelby, Steuben, Tippecanoe, Tipton, Wabash, Warren, Wells, White and Whitley Counties in Indiana.

BUILDING CONSTRUCTION(does not include single family homes and apartments up to and including 4 stories)

Note: Under Executive Order (EO) 13658, an hourly minimum wage of \$10.95 for calendar year 2021 applies to all contracts subject to the Davis-Bacon Act for which the contract is awarded (and any solicitation was issued) on or after January 1, 2015. If this contract is covered by the EO, the contractor must pay all workers in any classification listed on this wage determination at least \$10.95 per hour (or the applicable wage rate listed on this wage determination, if it is higher) for all hours spent performing on the contract in calendar year 2021. If this contract is covered by the EO and a classification considered necessary for performance of work on the contract does not appear on this wage determination, the contractor must pay workers in that classification at least the wage rate determined through the conformance process set forth in 29 CFR 5.5(a)(1)(ii) (or the EO minimum wage rate, if it is higher than the conformed wage rate). The EO minimum wage rate will be adjusted annually. Please note that this EO applies to the above-mentioned types of contracts entered into by the federal government that are subject to the Davis-Bacon Act itself, but it does not apply to contracts subject only to the Davis-Bacon Related Acts, including those set forth at 29 CFR 5.1(a)(2)-(60). Additional information on contractor requirements and worker protections under the EO is available at www.dol.gov/whd/govcontracts.

Modification Number	Publication Date
0	01/01/2021
1	01/29/2021
2	02/12/2021
3	02/26/2021
4	03/12/2021
5	03/26/2021
6	04/09/2021
7	04/23/2021
8	04/30/2021
9	05/07/2021
10	06/25/2021
11	07/02/2021
12	07/16/2021
13	07/30/2021
14	08/27/2021
15	09/03/2021
16	09/17/2021
17	10/08/2021
18	10/29/2021

ASBE0018-004 06/01/2021

BARTHOLOMEW, BENTON, BOONE, CARROLL, CLINTON, DELAWARE, FOUNTAIN, HAMILTON, HANCOCK, HENDRICKS, HOWARD, JOHNSON, MADISON, MARION, MONROE, MONTGOMERY, MORGAN, SHELBY, TIPPECANOE, TIPTON, AND WARREN COUNTIES:

	Rates	Fringes
ASBESTOS WORKER/HEAT & FROST INSULATOR (includes application of all insulating materials, protective coverings, coatings and finishings to all types of mechanical systems).....	\$ 33.90	21.38
HAZARDOUS MATERIAL HANDLER (includes preparation, wettings, stripping, removal, scrapping, vacuuming, bagging & disposing of all insulation materials, whether		

they contain asbestos or not,
 from mechanical systems).....\$ 23.00 14.40

 ASBE0041-002 03/01/2021

ADAMS, ALLEN, BLACKFORD, DE KALB, GRANT, HUNTINGTON, JAY,
 MIAMI, NOBLE, STEUBEN, WABASH, WELLS AND WHITLEY COUNTIES:

Rates Fringes

ASBESTOS WORKER/HEAT & FROST
 INSULATOR (includes
 application of all insulating
 materials, protective
 coverings, coatings and
 finishings to all types of
 mechanical systems).....\$ 29.00 21.49

HAZARDOUS MATERIAL HANDLER
 (includes preparation,
 wettings, stripping, removal,
 scrapping, vaccuming, bagging
 & disposing of all insulation
 materials, whether they
 contain asbestos or not, from
 mechanical systems).....\$ 23.00 14.40

 ASBE0075-003 06/01/2020

CASS, FULTON and WHITE COUNTIES

Rates Fringes

ASBESTOS WORKER/HEAT & FROST
 INSULATOR (includes
 application of all insulating
 materials, protective
 coverings, coatings and
 finishings to all types of
 mechanical systems).....\$ 32.00 26.04

HAZARDOUS MATERIAL HANDLER
 (includes preparation,
 wetting, stripping, removal,
 scrapping, vaccuming, bagging
 & disposing of all insulation
 materials, whether they

contain asbestos or not, from
mechanical systems).....\$ 23.00 14.40

BOIL0374-002 01/01/2021

	Rates	Fringes
BOILERMAKER.....	\$ 38.53	32.20

BRIN0003-001 06/01/2021

INDIANAPOLIS
BOONE, HANCOCK, HENDRICKS, JOHNSON, MARION, MONTGOMERY, MORGAN
and SHELBY COUNTIES

	Rates	Fringes
Bricklayer, Stone Mason, Pointer, Caulking.....	\$ 33.59	15.89
TERRAZZO FINISHER.....	\$ 20.74	11.98
TERRAZZO WORKER/SETTER.....	\$ 33.36	15.74
Tile & Marble Finisher.....	\$ 21.69	11.99
Tile, Marble Setter.....	\$ 32.61	15.73

* BRIN0004-004 06/01/2021

FORT WAYNE
ADAMS, ALLEN, DEKALB, HUNTINGTON, NOBLE, STEUBEN, WELLS AND
WHITLEY COUNTIES:

	Rates	Fringes
BRICKLAYER (STONE MASON, MARBLE MASONS, POINTER, CLEANER, AND CAULKER).....	\$ 31.50	18.96
Terrazzo Grinder Finisher.....	\$ 28.00	14.84
Terrazzo Worker Mechanic.....	\$ 32.37	18.76
Tile Setter & Marble Mason Mechanic.....	\$ 28.00	16.36
Tile, Marble & Terrazzo Finisher.....	\$ 25.00	13.78

BRIN0004-021 06/01/2021

BARTHOLOMEW and MONROE COUNTIES

	Rates	Fringes
Bricklayer, Stonemason.....	\$ 30.53	15.95
TERRAZZO FINISHER.....	\$ 20.74	11.98
TERRAZZO WORKER/SETTER.....	\$ 33.36	15.74
Tile & Marble Finisher.....	\$ 21.02	9.37
Tile & Marble Setter; Mosaic Worker.....	\$ 32.61	15.73

BRIN0011-001 06/01/2021

LAFAYETTE

BENTON, CARROLL, CLINTON, FOUNTAIN, TIPPECANOE, WARREN and
WHITE COUNTIES

	Rates	Fringes
Bricklayer, Stonemason, Pointer, Caulker & Cleaner.....	\$ 30.75	18.97
TERRAZZO FINISHER.....	\$ 21.69	11.99
TERRAZZO WORKER/SETTER.....	\$ 33.36	15.74
Tile & Marble Finisher.....	\$ 21.69	11.99
Tile & Marble Setter; Mosaic Worker.....	\$ 32.61	15.73

BRIN0018-001 06/01/2021

CASS, FULTON, GRANT, HOWARD, MIAMI and WABASH COUNTIES

	Rates	Fringes
Bricklayer, Stonemason, Pointer, Caulker & Cleaner.....	\$ 31.11	18.40
Terrazzo Worker Finisher.....	\$ 31.00	19.16
TERRAZZO WORKER/SETTER.....	\$ 33.00	22.33
Tile & Marble Finisher.....	\$ 31.00	19.16
Tile, Marble Setter.....	\$ 32.00	22.33

BRIN0019-001 06/01/2021

MUNCIE CHAPTER

BLACKFORD, DELAWARE, HAMILTON, JAY, MADISON AND TIPTON COUNTIES:

	Rates	Fringes
Bricklayer, Stonemason, Pointer, Caulker & Cleaner.....	\$ 31.75	18.07
TERRAZZO FINISHER.....	\$ 19.07	7.06
TERRAZZO WORKER/SETTER.....	\$ 29.57	10.96
Tile & Marble Finisher.....	\$ 19.96	7.07
Tile & Marble Setter; Mosaic Worker.....	\$ 28.98	10.85

 CARP0215-001 06/01/2021

BENTON, CARROLL, CLINTON, TIPPECANOE, WARREN AND WHITE
 COUNTIES:

	Rates	Fringes
CARPENTER.....	\$ 31.76	22.61
MILLWRIGHT.....	\$ 31.01	21.99

 CARP0232-001 06/01/2020

ALLEN, DEKALB, NOBLE, STEUBEN and WHITLEY COUNTIES

	Rates	Fringes
Carpenter & Piledrivermen.....	\$ 26.47	21.16

 CARP0615-001 06/01/2020

ADAMS, CASS, FULTON, GRANT, HOWARD, HUNTINGTON, MIAMI, TIPTON,
 WABASH and WELLS COUNTIES

	Rates	Fringes
Carpenter & Piledrivermen.....	\$ 27.01	21.14

 CARP0912-001 06/01/2021

	Rates	Fringes
CARPENTER ZONE 2: BOONE, FOUNTAIN,		

HENDRICKS, MONROE,
MONTGOMERY AND MORGAN
COUNTIES

Carpenters, Drywall.....\$	30.39	21.52
Millwright.....\$	31.32	22.06

ZONE 4: BLACKFORD,
DELAWARE, JAY AND MADISON
COUNTIES

Carpenters, Drywall.....\$	30.10	21.52
Millwright.....\$	31.03	

CARP0912-002 06/01/2021

HAMILTON, HANCOCK, JOHNSON (Townships of White River, Pleasant
and Clark), MARION

	Rates	Fringes
--	-------	---------

Carpenters:

Carpenters, Drywall		
Installers, Piledrivers.....\$	31.90	21.52
Millwright.....\$	31.07	23.82
Soft Floor Layers.....\$	28.85	18.63

* CARP0999-008 06/01/2021

BARTHOLOMEW, JOHNSON (Townships of Union, Hensley, Franklin,
Nineva, Needham and Blue River), SHELBY COUNTIES

	Rates	Fringes
--	-------	---------

Carpenters:

Carpenters, Drywall		
Installers, Piledriver.....\$	30.84	21.52
Millwright.....\$	31.07	23.82
Soft Floor Layers.....\$	28.85	18.63

CARP1029-001 06/01/2020

ADAMS, ALLEN, CASS, DEKALB, ELKHART, FULTON, GRANT, HOWARD,
HUNTINGTON, KOSCIUSKO, LAGRANGE, MARSHALL, MIAMI, NOBLE, ST.
JOSEPH, STEUBEN, TIPTON, WABASH, WELLS and WHITLEY COUNTIES

	Rates	Fringes
MILLWRIGHT.....	\$ 28.58	25.21

ELEC0305-002 12/01/2020

ADAMS, ALLEN, DE KALB, HUNTINGTON, NOBLE, STEUBEN, WELLS, and WHITLEY COUNTIES

	Rates	Fringes
ELECTRICIAN.....	\$ 34.69	9.02+28.76%

ELEC0481-005 05/31/2021

BARTHOLOMEW, BOONE, HAMILTON, HANCOCK, HENDRICKS, JOHNSON, MADISON, MARION, MONTGOMERY, MORGAN AND SHELBY COUNTIES

	Rates	Fringes
ELECTRICIAN.....	\$ 36.30	24.85

ELEC0538-006 01/01/2020

FOUNTAIN AND WARREN COUNTIES:

	Rates	Fringes
ELECTRICIAN.....	\$ 35.30	21.36

ELEC0668-002 01/01/2021

BENTON, CARROLL, CASS, FULTON, TIPPECANOE and WHITE COUNTIES

	Rates	Fringes
ELECTRICIAN.....	\$ 34.14	21.13

FOOTNOTE: a. PAID HOLIDAYS: New Years Day, Memorial Day, July 4th, Labor Day, Veterans Day Thanksgiving Day and Christmas Day

ELEC0725-006 06/01/2020

MONROE COUNTY

	Rates	Fringes
Communication Technician.....	\$ 28.67	15.07

Includes the installation, operation, inspection, maintenance, repair and service of radio, television, recording, voice sound and vision production and reproduction apparatus, equipment and appliances used for domestic, commercial, education, entertainment and private telephone systems.

ELEC0725-011 10/01/2020

MONROE COUNTY:

	Rates	Fringes
ELECTRICIAN.....	\$ 37.98	20.29

ELEC0855-003 06/01/2021

BLACKFORD, DELAWARE, AND JAY COUNTIES

	Rates	Fringes
ELECTRICIAN.....	\$ 33.57	19.03

ELEC0873-002 03/01/2021

CLINTON, GRANT, HOWARD, MIAMI, TIPTON AND WABASH COUNTIES:

	Rates	Fringes
ELECTRICIAN.....	\$ 34.65	19.62

ELEV0034-001 01/01/2021

	Rates	Fringes
ELEVATOR MECHANIC.....	\$ 51.23	36.365+a+b

a) PAID HOLIDAYS: New Year's Day, Memorial Day, Independence

Day, Labor Day, Vetern's Day, Thanksgiving Day, the Friday after Thanksgiving, and Christmas Day.

b) Employer contributes 8% of regular hourly rate to vacation pay credit for employee with more than 5 years of service; 6% for less than 5 years' service.

ELEV0044-002 01/01/2021

	Rates	Fringes
ELEVATOR MECHANIC.....	\$ 53.07	36.365+a+b

a) PAID HOLIDAYS: New Year's Day, Memorial Day, Independence Day, Labor Day, Vetern's Day, Thanksgiving Day, the Friday after Thanksgiving, and Christmas Day.

b) Employer contributes 8% of regular hourly rate to vacation pay credit for employee with more than 5 years of service; 6% for less than 5 years' service.

ENGI0103-001 04/01/2021

BENTON, CARROLL, CASS, CLINTON, GRANT, HOWARD, MIAMI, TIPPECANOE, TIPTON, WABASH, and WHITE COUNTIES

	Rates	Fringes
Power equipment operators:		
GROUP 1.....	\$ 37.08	19.96
GROUP 2.....	\$ 36.13	19.96
GROUP 3.....	\$ 32.08	19.96
GROUP 4.....	\$ 28.38	19.96

POWER EQUIPMENT OPERATOR CLASSIFICATIONS

GROUP 1: A-Frame Winch Truck, Air Compressors over 600 cu.ft., Air Tugger, Autograde (CMI), Auto Patrol, Backhoe, Ballast Regulator (RR), Batcher Plant (electrical control concrete), Bending Machine (pipe), Bituminous Plant (engineer), Bituminous Plant, Bituminous Mixer Travel Plant, Bituminous Paver, Bituminous Roller, Buck Hoist, Bull Dozer, Cable Way, Chicago Boom, Clamshell, Concrete

Mixer (21 cu. ft. or over), Concrete Paver, Concrete Pump(crete), Crane, Craneman, Crusher Plant, Derrick, Derrick Boat, Dinkey, Dope Pots (pipeline), Dragline, Dredge Operator, Dredge Engineer, Drill Operator,, Elevating Grader, Elevator, Ford Hoe (or similar type equipment), Forklift, Formless Paver, Gantry Crane, Gradall, Grademan, Grout Pump, Helicopter Crew, Heterington Paver, High-Lift, Hoist, Hopto, Hough Loader (or similar type), Hydro Crane, Hydro Hammer, Locomotive Crane, Locomotive, Mechanic, Mobile Mixer, Motor Crane, Mucking Machine, Multiple Tamping Machine (rr), Overhead Crane, Pile Driver, Pulls, Push Dozer, Push Boats, Roller (sheep foot), Ross Carrier, Scoop, Shovel, Side Boom, Swing Crane, Tail Boom, Tar Machine (pipeline), Throttle Valve, Tower Crane, Trench Machine, Welder (heavy duty), Truck Mounted Concrete Pump, Truck-Mounted Drill, Well Point, Whirleys

GROUP 2: Air Compressor (up to 600 cu. ft.), Brakeman, Bull Float, Concrete Mixer (over 10s and under 21s), Concrete Spreader or Puddler, Deck Engine, Drill Helper, Electric Vibrator Kompactor (earth or rock), Finishing Machine, Gireman, Greaser (on grease facilities servicing heavy equipment), Material Pump, Motor Boats, Motor Crane Oiler, Portable Loader, Post Hole Digger, Power Broom, Rock Roller, Roller-Wobble Whell (earth or rock), Spike Machine (RR) Seamen Tiller, Spreader Rock, Sub Grader, Tamping Machine, Truck Mounted Drill Oiler, Welding Machine, Widener (apsco or similar type)

GROUP 3: Air Compressor 210 cu ft & over, Bituminous Distributor, Chair Cart, Concrete Curing Machine, Concrete Saw, Dope Pot Power Agitated, Flex Plane, Form Grader, Hydrohammer, Jacks Hydraulic Power Driven, Paving Joint Machine, Post Hole Digger, Roller Earth, Throttle Valve, Track Jack Power Driven, Tractor Farm Type, Truck Crane Driver

GROUP 4: Air Compressor (under 200 cu. fr. per min), Bituminous Distributor, Cement Gun, Concrete Saw, Conveyor, Deck Hand Oiler, Earth Roller, Form Grader, Generator, Guardrail Driver, Heater, Oiler, Paving Joint Machine, Power Traffic Signals, Steam Jenny, Vibrator, Water Pump, "JLG" Lifts and "Scissor" Lift or similar machine

ENGI0103-002 04/01/2021

BLACKFORD, DELAWARE, HAMILTON, HANCOCK, JAY, JOHNSON, MADISON,
 MARION, and SHELBY COUNTIES

	Rates	Fringes
Power equipment operators:		
GROUP 1.....	\$ 37.08	19.96
GROUP 2.....	\$ 36.13	19.96
GROUP 3.....	\$ 32.08	19.96
GROUP 4.....	\$ 28.30	19.96

POWER EQUIPMENT OPERATOR CLASSIFICATIONS

GROUP 1: Air Compressor (pressurizing shafts, tunnels & drivers); Air Tugger; Auto Patrol; Back Filler; Back Hoe; Boom Cat; Boring Machine; Bull Dozer; Caisson Drilling Machine; Cherry Picker; Compactor (with dozer blade); Concrete Mixer (dual drum); Concrete plant; Concrete Pump; Crane with all attachments; Crane- Electric overhead; Derrick; Ditching Machine (18' and over); Dredge; Elevators (when hoisting material or tools); Fork Lift (machinery); Formless Paver; Generator (power for welders of compressor); Gradall; Helicopter; Helicopter Winch Operator; High Lift-Front End Loader; Hoist-Material and/or Personnel over 3 Floors; Locomotive; Mechanic on job site; Mucking Machine; Panel Board Concrete Plant; Pile Driver; Push Cat; Scoop & Tractor; Scraper-Rubber Tired; Spreader-Tractor Mounted; Straddle Carrier-Ross Type; Sub Base Finish Machine (C.M.I. or smiliar); Tower Crane; Tractor with Backhoe (over 1/2 yard); Welder (craft)

GROUP 2: A Frame Truck; Batcher Plant (automatic dry batch); Bending Machine-Power Driven; Bituminous Mixer; Bituminous Paver; Bituminous Plant Engineer; Boatman; Bull Float; Compactor or Tamper-Self Propelled; Concrete Mixer (21 cu. ft. or over); Concrete Spreader-Power Driven; Dinkey Engine; Ditching Machine; Ditching Machine (less than 18"); Drilling Machine; Finish Machine & Bull Float; Finishing Machine; Fireman-Pile Driving and Boilers; Fork Lift-Masonry & Material; Guniting Machine; Head Greaser; Hoist-Material and/or personnel 3 floors and under; Mechanic in shop; Mesh Depresser-Mesh Placer; P.C.C. Concrete Belt Placer; Ruller-Asphalt, stone & sub base; Sheepsfoot Roller- Self Propelled; Shop Mule; Spreader or

Base Paver-Self Propelled; Sub Grader; Throttle valve with air compressor or boiler; Tractor with Backhoe (1/2 yard & under); Tractor-high lift-farm type; Tractor-Industrial Type; Tractor with Winch; Well Points; Winch Trick

GROUP 3: Air Compressor (210 cu. ft. & over); bituminous Distributor; Chair Cart; Concrete Curing Machine; Concrete Saw; Dope Pot Power Agitated; Flex Plane; Form Grader; Hydrohammer; Jacks-Hydraulic-Power Driven; Minor Equipment opr. 3,4, or 5; Paving Joint Machine; Post Hole Digger; Roller-Earth; Throttle Valve; Track Jack-Power Driven; Tractor-Farm Type; Truck Crane Driver

GROUP 4: Air Compressor (less than 210 cu. ft.); Concrete Mixer (under 21cu. ft.); Conveyor; Generator; Mechanical Heater; Oiler; Operator-2 pieces of miner equipment; Power Broom; Pump; Welding Machine

 ENGI0103-007 04/01/2021

ADAMS, ALLEN, DEKALB, HUNTINGTON, STEUBEN, WELLS, and WHITLEY COUNTIES

	Rates	Fringes
Power equipment operators:		
GROUP 1.....	\$ 37.08	19.96
GROUP 2.....	\$ 36.13	19.96
GROUP 3.....	\$ 32.08	19.96
GROUP 4.....	\$ 28.30	19.96

POWER EQUIPMENT OPERATOR CLASSIFICATIONS

GROUP 1: Air Tugger; Auto Patrol, Back Filler; Back Hoe; Boom Cat; Boring Machine; Bull Dozer; Caisson Drilling Machine; Cherry Picker; Compactor (with dozer blade); Concrete Mixer (dual drum); Concrete Plant; Concrete Pump; Crane with all attachments; Crane Electric overhead; Derrick; Ditching Machine (18" and over); Dredge; Fork Lift (machinery); Formless Paver; Gradall; Helicopter; Helicopter Winch Operator; High Lift Front End Loader; Hoist Material and/or personnel over 3 floors; Locomotive; Mechanic on Job Site; Mucking Machine; Panel Board Concrete Plant; Pile Driver; Push Cat; Scoop & Tractor; Scraper

Tubber Tired; Skid Steer Machine (grading and back hoe);
 Spreader Tractor Mounted; Straddle Carrier Ross Type; Sub
 Base Finish Machine (C.M.I.or similar); Tower Crane;
 Tractor with backhoe (over 1/2 yard); Welder for Craft Work.

GROUP 2: A-Frame Truck; Batch Plant (automatic dry batch);
 Bending Machine Power Driven; Bituminous Mixer; Bituminous
 Paver; Bituminous Plant Engineer; Boatman; Bull Float;
 Compactor or Tamper Riding Only; Concrete Mixer (21 cu. ft.
 or over); Concrete Spreader Power Driven; Dinkey Engine;
 Ditching Machine (less than 18" riding only); Drilling
 Machine; Elevators (when hoisting material or tools);
 Finish Machine and bull Float (excluding trowelling
 machine); Fireman Pile Driving and Boilers; Gunite Machine;
 Head Greaser; Hoist Material and/or personnel 3 floors and
 under; Mesh Depressor Mesh Placer; P.C.C. Concrete Belt
 Placer; Roller Asphalt, Stone & Sub Base; Sheepsfoot Roller
 Self Propelled; Shop Mule; Spreader or Base Paver Self
 Propelled; Sub Grader; Throttle Valve with Air Compressor
 or Boiler; Tractor with Backhoe (1/2 yard & under); Tractor
 High Lift Farm Type; Tractor Industrial Type; Tractor with
 Winch; Winch Truck.

GROUP 3: Bituminous Distributor; Chair Cart; Concrete Cuting
 Machine; Dewatering Sytems; Dope Pot Power Agitated; Flex
 Plane; Fork Lift (masonry and material); Form Grader;
 Hydrohammer; Jacks Hydraulic Power Driven; Paving Joint
 Machine; Post Hole Digger (machine Mounted); Roller Earth;
 Skid Steer Machine (fork lift and trasporting); Throttle
 Valve; Track Jack Power Driven; Tractor Farm Type.

GROUP 4: Air Compressor (pressurizing shafts, tunnels and
 divers); Air Compressor (over 210 cu. ft.); Concrete Saw;
 Conveyor; Generators; Oiler; Operating minor equipment;
 Power Broom; Truck Crane Driver; Welding Machines over 300
 amps (2 or more).

 ENGI0150-017 06/01/2021

FULTON and NOBLE COUNTIES

	Rates	Fringes
POWER EQUIPMENT OPERATOR		
GROUP 1.....	\$ 30.45	32.65

GROUP 2.....	\$ 29.10	32.65
GROUP 3.....	\$ 28.30	32.65
GROUP 4.....	\$ 27.50	32.65
GROUP 5.....	\$ 24.90	32.65

POWER EQUIPMENT OPERATOR CLASSIFICATIONS:

GROUP 1: Mechanic, Asphalt Plant, Asphalt Spreader, Auto Grader; Batch Plant, Benoto (requires 2 Engineers), Boiler and Throttle Valve, Boring Machine (road), Bulldozers (with engines of 140 net horse power or more) Caisson Rigs, Central Redi-mix Plant, Concrete Conveyor Systems, Concrete Power (over 27E cu. ft.), Concrete Paver (27E cu. ft. and under), Concrete Pumps/Grout concrete placer (Truck Mounted), Concrete Tower, Cranes and backhoes (all), Cranes, Hammerhead Tower, Creter Crane, Derricks (all), Forklift (capble of hoisting and mechanically moving forks horizontally), Grader, Elevating, Highlift Shovels or Front End Loaders (over 3 yd bucket), Hoists (2 or more drums), Locomotives (all), Laser screed, Motor Patrol, Pile Drivers and Skid Rig, Pre-Stress Machines, Pump Cretes & Similar Types, Rock Drill (Self-Propelled), Rock Drill (self propelled Truck Mounted), Scoops (tractor drawn), Slip-Form Paver, Tournapull, Tractor with Boom & Side Boom, Trenching Machine (12 or more inches in width), Combination Backhoe Front End Loader Machine with backhoe 1/2 yd bucket or attachments.

GROUP 2: Air Compressor (600 cu. ft. and over), Bob Cat (over 3/4 cu. yd.), Boilers, Broom (all powered propelled), Bull Dozers with engines of less than 140 net horsepower, combination backhoe front end loader 1/2 yf bskhhoe or under, Compressor and Throttle Valve, Concrete Breaker (truck mounted), Concrete Mixer (of moore than 21 cu. ft. capacity), Forklift (with fixed or tilt mast), Greaser Engineer, Highlift shovel or front endloader 3 yd bucket and under, Hoists (1 drum), Hydraulic Boom Truck, Post Hole Digger (vehicle mounted), Pump Cretes (squeeze crete type pumps, Gypsum, bulker , Rollers(all), Steam Generators, Stone Crushers, Stradddle Buggies, Tractors, Winch Trucks (with "a" frame.

GROUP 3: Buck Hoist, Combination (small equipment operator), .Conveyor (portable), Grouting Machine, Hoist Elevators (material and personnel), Hydraulic Power Units, Grouting and Pile Driving, Stud Welder, Trenching Machines less than

12 inches in width, Welding Machines (8 through 15).

GROUP 4: Bobcat (up to and including 3/4 cu. yd.). Compressor (over 210 cu. ft. and less than 600 cu. ft.), Generator (over 50 kw.), Heaters, Mechanical, Hoists (all elevator, permanent installation), Hoist (automatic), Hoist (tugger single drum), Oilers, Pumps, Well Points and electric submersible, Small Rubber Tired End Loaders (1/4 cu. yd. and under), Tractors (farm type) Welding Machines (2 through 8).

GROUP 5: Bobcats and forklifts (commercial or residential).

ENGI0181-004 04/01/2021

BARTHOLOMEW COUNTY

	Rates	Fringes
Power equipment operators:		
GROUP A.....	\$ 28.35	18.78
GROUP B.....	\$ 35.70	18.78

POWER EQUIPMENT OPERATOR CLASSIFICATIONS

GROUP A: A-frame winch truck, articulating dump, autograde (CMI), auto patrol, ballast regulator (RR), batcher plant (electrical control concrete), bending machine (pipe), bituminous plant (engineer), bituminous plant, bituminous mixer travel plant, bituminous paver, bituminous roller, boring machine, buck hoist, bull dozer, cable way, Chicago boom, chimney hoist, clamshell, concrete mixer (21 cu.ft. or over), concrete paver, concrete pump (crete), construction elevator (Allmac or similar) creane, creaneman, crawler backhoe, bcreawler high-lift, crusher plant, derrick, derrick boat, dinkey, directional/boring machine, dope pots (pipeline), double drum tugger (electric or air), dragline, dredge operator, dredge engineer, drill operator, elevating grader, extendable boom forklift, formless paver, gantry crane, gator (or similar type tiller), gradeall, grader, grademan, greaser (on grease facility servicing heavy equipment), G.P.S. System (on equipment within the classificaitons), grout pump, head greaser, helicopter crew, Hetherington paver, hoist (motorized, gas or disel), hydraulic crane, ghdro blaster,

Industrial type forklift (over 9,000 lbs.), laser concrete screed, laser or remote controlled equipment (within the classifications), locomotive crane, locomotive, mechanic, mobile mixer, motor creane, mucking machine, multiple tamping machine (RR) overhead crane, pile driver, pulls, push dozer, push boats, roller (sheep foot), rough terrain crain, R.T. backhoe, R.T. endloader, Ross carrier, scoop, shovel, side boom, skidsteer loader (bobcat or similar type), swing crane, tail boom, tar machine (pipeline), tower crane, trench machine, welder (heavy duty), truck mounted concrete pump, truck-mounted drill, vacuum truck, well point, whirleys

GROUP B: Air compressor (1 or more, 600 cfm and over), air compressor with throttle valve, bituminous distributor, brakeman, bullfloat, cement gun, concret mixer, concrete say, soncrete spreader or puddlers, conveyor, deck hand oiler, deck engine, drill helper, earth roller electric vibrator compactor (earth or rock), elevator (in-plant, automatic), finishing machine fireman, form grader, generator, guard-rail driver, heater, oiler, Industrial type forklift (9,000 lbs and under), aterail pump, motor boats, paving joint machine, post hole digger, power broom, power traffic signals, rock roller, rock spreader, Roller (earth or rock), spike machine (RR), steam jenny, sub grader, taping machine, gruck crane oiler, truck mounted drill oiler Tugger (one-drum, air or electric)vibrator, vibro-piling hammer- hydraulic hammer or auger, water pump, widener (apsco or similar type) welding machine, JLG lifts and scissor lifts or similar machine.

 ENGI0841-008 04/01/2020

BOONE, FOUNTAIN, HENDRICKS, MONROE, MONGOMERY, MORGAN, and WARREN COUNTIES

	Rates	Fringes
Power equipment operators:		
GROUP 1.....	\$ 32.25	23.00
GROUP 2.....	\$ 25.10	23.00

POWER EQUIPMENT OPERATOR CLASSIFICATIONS

GROUP 1: Power Cranes, Draglines, Derricks, Shovels, Gradalls, Mechanics, Tractor Highlift, Tournadozer. Concret Mixers with Skip Tournamixer, Two-Drum Machine, One-Drum Hoist with Tower or Boom, Cableways, Tower Machines, Motor Patrol, Boo Tractor, Boom or Winch Truck, Winch or Hydraulic Boom Truck, Truck Crane, Tournapull, Tractor Operating Scoops, Bulldozer, Push Tractor, Asphalt Planer, Finishing Machine on Asphalt, Large Rollers on Earth, Rollers on Asphalt Mix, Ross Carrier or Similar Machine, Gravel Processing Machine, Asphalt Plant Engineer, Paver Operator, Farm Tractor with Half Yard Bucket and/or Backhoe Attachments, Dredge Engineer, or Dredge Operator, Central Mix Plant Engineer, CMI or Similar Type Machine, Truck or Skid Mounted Concrete Pump, Tower Crane, Engine or Rock Crusher Plant, Concrete Plant Engineer, Ditching Machine with Dual Attachment, Tractor Mounted Loaders, Cherry Picker, Hydro Crane, Standard or Dinkey Locomotives, Scoopmobiles, Euclid Loader, Soil Cement Machine, Back Filler, Elevating Machine, Power Blade, Drilling Machines including Well Testing, Caissons, Shaft or any similartype Drilling Machines, Motor Driven Paint Machine, Pipe Cleaning Machine, Pipe Wrapping Machine, Pipe Bending Machine, Apsco Paver, Boring Machine, (Equipment Greased), Barber-Greene Loaders, Formless Paver, (Well Point System), Concrete Spreader, Hydra Ax, Span Saw and Similar Types, Marine Scoops, Brush Mulcher, Brush Burner, Mesh Placer, Tree Mover, Helicopter Crew (3), Piledriver-Skid or Crawler, Stump Remover, Root Rake, Tug Boat Operator, Refrigerating Machine, Freezing Operator, Chair Cart-Self Propelled, Hydra Seeder, Straw Blower Power Sub Grader, Bull Float, Finishing Machine, Self-Propelled Pavement Breaker (Backhoe Attached), Lull (or Similar Type Machine), Two Air Compressors, Compressors Hooked in Manifold, Overhead Crane, Chip Spreader, Mud Cat, Sull-Air Fork Lifts (Except when used for Landscaping Work), Soil Stablilizer (Seaman Tiller, Bo Mag, Rago Gator and Similar types or Equipment), Tube Float, Spray Machine, Curing Machine, Concrete or Asphalt Milling Machine, Snooper Truck Operator.

GROUP 2: Concrete Mixers without Skips, Rock Crusher, Ditching Machine Under 6', Curbing Machine, One Drum Machines without Tower or Boom, Air Tugger, Self-Propelled Concrete Saw, Machin- Mounted Post Hole Digger, Two to Four Generators, Water Pumps, or Welding Machines, with 400 ft., Air Compressor 600 cu. ft. and Under, Rollers on Aggregate and Seal Coat Surfaces, Fork Lifts (When used for

Landscaping Work), Concrete and Blacktop Curb Machine, Farm Tractor with less than Half Yard Bucket, One Water Pump, Jolers, Air Valves or Steam Valves, One Welding Machine, Truck Jack, Mud Jack, Gunnite Machine, House Elevators when used for Hoisting Material, Engine Tenders, Wagon Drill, Flex Plane, Conveyor, Siphons nad Pulsometer, Switchman, Fireman on Paint Pots, Fireman on Asphalt Plants, Distributor Operators on Trucks, Tampers, Self-Propelled Power Broom, Striping Machine (motor driven), Form Tamper, Bulk Cement Plan Equipment Greaser, Deck Hands, Truck Crane Oiler Driver, Cement Blimps, Form Grader, Temporary Heat, Throttle Valve, Farm Tractor, Super Sucker (and similar type of equipment). FOOTNOTE: Employees operating booms from 149 ft. to 199 ft. including jib, shall receive an additional seventy five cents (.75)per hour above the rate. Employees operating booms over 199 ft. including jib, shall receive an additional one dollar and twenty-five cents (\$1.25) per hour above the regular rate.

 IRON0022-004 06/01/2021

BARTHOLOMEW; BENTON, BOONE; CARROLL; CASS; CLINTON; DELAWARE (S 2/3); FOUNTAIN; FULTON (SW 1/4 OF COUNTY); GRANT (SW PORTION); HAMILTON; HANCOCK; HENDRICKS; HOWARD; JOHNSON; MADISON; MARION; MIAMI; MONROE; MONTGOMERY; MORGAN; SHELBY; TIPPECANOE; TIPTON; WARREN AND WHITE COUNTIES

	Rates	Fringes
IRONWORKER.....	\$ 33.99	24.70

The following holidays shall be observed: New Year's Day, Memorial Day, Independence Day, Labor Day, Thanksgiving Day and the day after Thanksgiving and Christmas Day. Any holiday which occurs on a Sunday shall be observed the following Monday, unless the legal observance of these holidays is changed by law.

 IRON0147-004 06/01/2021

ADAMS, ALLEN, BLACKFORD, DEKALB, DELAWARE (NORTHEAST THIRD OF COUNTY), FULTON (EASTERN PART), GRANT (EXCLUDING SOUTHWEST PORTION), HUNTINGTON, JAY, MIAMI (NORTHEAST HALF), NOBLE

(EXCLUDING NORTHEAST TIP), STEUBEN, WABASH, WELLS, and WHITLEY COUNTIES

	Rates	Fringes
IRONWORKER.....	\$ 30.35	24.22

IRON0292-006 06/01/2021		

FULTON (Remainder of County) and NOBLE (Northeastern Tip) COUNTIES

	Rates	Fringes
IRONWORKER.....	\$ 32.50	22.88

LABO0120-001 06/01/2020		

MARION and SHELBY COUNTIES

	Rates	Fringes
Laborers:		
GROUP 1.....	\$ 24.39	16.00
GROUP 2.....	\$ 25.14	16.00
GROUP 3.....	\$ 25.39	16.00

LABORER CLASSIFICATIONS

GROUP 1: Building and Construction Laborers; Scaffold Builders (other than for Masons and Plasterers); Mechanic Tenders; Window Washers and cleaners; Railroad Workers; Masonry Wall Washers; Portable Water pumps with discharge up to (3) inches; Flag & Signal Person; Waterproofing; Handling of Creosot Lumber or like treated material (excluding railroad material); Asphalt Rakers and Lutemen; Kettlemen; Air Tool Operators; Pneumatic Tool Operators; Air and Electric Vibrators and Chipping Hammer Operators; Earth Compactors Jackmen and Sheetmen working Ditches deeper than (6) ft.in depth; Laborers working in ditches (6) ft.in depth or deeper; Assembly of Unicrete Pump; Chain Saw and Demolition Saw; Tile Layers (sewer or field) and Sewer Pipe Layer (metallic or non-metallic); Motor driven Wheelbarrows and Concrete Buggies; Hyster Operators; Pump

Crete Assemblers; Concrete Conveyor Assemblers; Core Drill Operators; Cement, Lime or Silica Clay Handlers (bulk or bag); Handling of Toxic Materials damaging to clothing; Pneumatic Spikers; Deck Engine and Winch Operators; Water Main and Cable Ducking (metallic and non-metallic); Screed Man or Screw Operator on Asphalt Paver; Asbestos Removal and Hazardous Waste Removal.

GROUP 2: Plaster Tenders; Mason Tenders; Mortar Mixers; Welders (Acetylene or electric); Cutting Torch or Burner; Cement Nozzle Laborers; Cement Gun Operator; Scaffold Builders when working for Plasterers and Masons; Water Blast Machine.

GROUP 3: Dynamite men, Drillers-air track or wagon drilling for explosives.

LABO0204-001 06/01/2020

FOUNTAIN, HENDRICKS, and WARREN COUNTIES

	Rates	Fringes
Laborers:		
Caisson and Tunnel Work in		
Compressed and Free Air		
GROUP 1.....	\$ 23.18	16.00
GROUP 2.....	\$ 23.93	16.00
GROUP 3.....	\$ 24.18	16.00
GROUP 4.....	\$ 23.13	16.00
LABORERS		
GROUP 1.....	\$ 23.18	16.00
GROUP 2.....	\$ 23.93	16.00
GROUP 3.....	\$ 24.18	16.00

LABORER CLASSIFICATIONS

GROUP 1: Building and Construction Laborers; Scaffold Builders (other than for Masons and Plasterers); Mechanic Tenders; Window Washers and cleaners; Railroad Workers; Masonry Wall Washers; Portable Water pumps with discharge up to (3) inches; Flag & Signal Person; Waterproofing; Handling of Creosot Lumber or like treated material (excluding railroad material); Asphalt Rakers and Lutemen; Kettlemen; Air Tool Operators; Pneumatic Tool Operators;

Air and Electric Vibrators and Chipping Hammer Operators; Earth Compactors Jackmen and Sheetmen working Ditches deeper than (6) ft.in depth; Laborers working in ditches (6) ft.in depth or deeper; Assembly of Unicrete Pump; Chain Saw and Demolition Saw; Tile Layers (sewer or field) and Sewer Pipe Layer (metallic or non-metallic); Motor driven Wheelbarrows and Concrete Buggies; Hyster Operators; Pump Crete Assemblers; Concrete Conveyor Assemblers; Core Drill Operators; Cement, Lime or Silica Clay Handlers (bulk or bag); Handling of Toxic Materials damaging to clothing; Pneumatic Spikers; Deck Engine and Winch Operators; Water Main and Cable Ducking (metallic and non-metallic); Screed Man or Screw Operator on Asphalt Paver, Asbestos Removal, Hazardous Waste Removal.

GROUP 2: Plaster Tenders; Mason Tenders; Mortar Mixers; Welders (Acetylene or electric); Cutting Torch or Burner; Cement Nozzle Laborers; Cement Gun Operator; Scaffold Builders when working for Plasterers and Masons; Water Blast Machine.

GROUP 3: Dynamite men, Drillers-air track or wagon drilling for explosives.

LABORER CLASSIFICATIONS For CAISSON AND TUNNEL WORK In COMPRESSED and FREE AIR

GROUP 1: Cage Tenders, Dump Men, Flagman, Signalman, Top Laborers, Rod Men.

GROUP 2: Concrete Repairmen, Lock Tenders (pressure side), Motor men, Muckers, Grout Machine, Track Layers, Air Hoist, Key Board, Agitator Car, Car Pushers, Concrete Laborers, Grout Laborers, Lock Tenders (free air side), Steel Setters, Tuggers, Switchmen.

GROUP 3: Mucking Machine, Laser Beam, Liner Plate & Ring Setter, Shield Drivers, Power Knife, Welders Burners, Pipe Jacking Machine, Skinners, Maintenance Technician, Miner, Bricklayer Tenders, Concrete Blowers, DRillers, Erectors, Form Men, Jackhammermen, Mining Machine.

GROUP 4: Dynamite Men, Drillers air track or wagon drilling for explosives.

ADAMS, ALLEN, DEKALB, HUNTINGTON, NOBLE, STEUBEN, WABASH, WELLS AND WHITLEY COUNTIES

	Rates	Fringes
Laborers:		
GROUP 1.....	\$ 21.28	15.70
GROUP 2.....	\$ 21.78	15.70
GROUP 3.....	\$ 22.28	15.70

LABORERS CLASSIFICATION

GROUP 1: Building and Construction Laborers; Scaffold Builders (other than for Masons and Plasterers); Mechanic Tenders; Window Washers and cleaners; Railroad Workers; Masonry Wall Washers; Portable Water pumps with discharge up to (3) inches; Flag & Signal Person; Waterproofing; Handling of Creosot Lumber or like treated material (excluding railroad material); Asphalt Rakers and Lutemen; Kettlemen; Air Tool Operators; Pneumatic Tool Operators; Air and Electric Vibrators and Chipping Hammer Operators; Earth Compactors Jackmen and Sheetmen working Ditches deeper than (6) ft.in depth; Laborers working in ditches (6) ft.in depth or deeper; Assembly of Unicrete Pump; Tile Layers (sewer or field) and Sewer Pipe Layer (metallic or non-metallic); Motor driven Wheelbarrows and Concrete Buggies; Hyster Operators; Pump Crete Assemblers; Core Drill Operators; Cement, Lime or Silica Clay Handlers (bulk or bag); Handling of Toxic Materials damaging to clothing; Pneumatic Spikers; Deck Engine and Winch Operators; Water Main and Cable Ducking; Screed Man or Screw Operator on Asphalt Paver; Chain and Demolition Saw Operators; Concrete Conveyor Assemblers

GROUP 2: Plaster Tenders; Mortar Mixers; Welders (Acetylene or electric); Cutting Torch or Burner; Cement Nozzle Laborers; Cement Gun Operator; Scaffold Builders when working for Plasterers; Water Blast Machine

GROUP 3: Dynamite men-drillers-air track or wagon drilling for explosives

BENTON, BOONE, CARROLL, CASS, CLINTON, FULTON, HOWARD, MIAMI, MONTGOMERY, TIPPECANOE, TIPTON, and WHITE COUNTIES

	Rates	Fringes
Laborers:		
GROUP 1.....	\$ 23.23	16.00
GROUP 2.....	\$ 23.98	16.00
GROUP 3.....	\$ 24.23	16.00

LABORER CLASSIFICATIONS

GROUP 1: Building and construction laborers; Scaffold builders (other than for masons or plasterers); Railroad Workers; Masonry Wall Washers (interior & exterior); All Portable Water Pumps with Discharge of Up to Three (3) Inches; Handling of Creosote Lumber or Like Treated Material (excluding railroad material); Asphalt Rakers and Lutemen; Earth Compactors; Jackmen and Sheetmen Working Ditches Deeper than Six (6) Feet in Depth; Laborers Working Ditches Six (6) Feet in Depth or Deeper; Assembly of Unicrete Pump; Tile Layers (sewer or field) and Sewer Pipe Layers (metallic or non-metallic); Motor Driven Wheelbarrows and Concrete Buggies; Hyster Operators; Pump Crete Assemblers; Core Drill Operators; Cement, Lime or Silica Clay Handler (bulk or bag); Handling of Toxic Material Damaging to Clothing; Pneumatic Spikers; Deck Engine and Winch Operators; Water Main and Cable Ducking (metallic and non-metallic); Screed Man or Screw Operator on Asphalt Paver; Chain Saw and Demolition Saw Operators; Concrete Saw; Concrete Conveyor Assemblers; Applying of Curing Compound; Sinking of Wellpoints; Dewatering Header Systems

GROUP 2: Plaster Tenders; Mason Tenders; Mortar Mixers; Welders (acetylene or electric); Cutting Torch or Burner; Cement Nozzle Laborers; Cement Gun Operators; Scaffold Builders for Plasterers; Scaffold Builders for Masons; Water Blast Machine Operators, Air and Electric Vibrators and Chipping Hammer Operators; Asbestos Removal; Hazardous Waste Removal; All Boiler Setters Laborers, including Expeditors, Bottom Men, Bell Men, and Mason Tenders

GROUP 3: Dynamite man, Drillers-air track or wagon for explosives.

LABO0741-003 06/01/2020

BARTHOLOMEW, JOHNSON, MONROE, and MORGAN COUNTIES

	Rates	Fringes
Laborers:		
GROUP 1.....	\$ 23.13	16.00
GROUP 2.....	\$ 23.88	16.00
GROUP 3.....	\$ 24.13	16.00

LABORERS CLASSIFICATIONS

GROUP 1: Building and Construction Laborers; Scaffold Builders (other than for masons or plasterers); Railroad Workers; Masonry Wall Washers (interior & exterior); Portable Water Pumps with Discharge up to three (3) inches; Handling of Creosote Lumber or Like Treated Material (excluding railroad material); Asphalt Rakers and Lutemen; Earth Compactors; Jackmen and Sheetmen Working Ditches Deeper than Six (6) Feet in Depth; Laborers Working Ditches Six (6) Feet in Depth or Deeper; Assembly of Unicrete Pump; Tile Layers (sewer or field) and Sewer Pipe Layers (metallic or non-metallic); Motor Driven Wheelbarrows and Concrete Buggies; Hyster Operators; Pump Crete Assemblers; Core Drill Operators; Cement, Lime or Silica Clay Handler (bulk or bag); Handling of Toxic Material Damaging to Clothing; Pneumatic Spikers; Deck Engine and Winch Operators; Water Main and Cable Ducking (metallic and non-metallic); Screed Man or Screw Operator on Asphalt Paver; Chain Saw and Demolition Saw Operators; Concrete Saw; Concrete Conveyor Assemblers; Applying of Curing Compound; Sinking of Wellpoints; Dewatering Header Systems

GROUP 2: Plaster Tenders; Mason Tenders; Mortar Mixers; Welders (acetylene or electric); Cutting Torch or Burner; Cement Nozzle Laborers; Cement Gun Operators; Scaffold Builders for Plasterers; Scaffold Builders for Masons; Water Blast Machine Operators; Air Tool Operators and all Pneumatic Tool Operators, Air and Electric Vibrators and Chipping Hammer Operators; Asbestos Removal; Hazardous Waste Removal; Biler Setters Laborers, including

expeditors, bottom men, bell men, and Mason Tenders

GROUP 3: Dynamite men; Drillers-air track or wagon drilling for explosives

LABO1112-001 06/01/2020

BLACKFORD, DELAWARE, GRANT, HAMILTON, HANCOCK, HENRY, JAY, & MADISON COUNTIES

	Rates	Fringes
Laborers:		
GROUP 1.....	\$ 22.81	16.00
GROUP 2.....	\$ 23.56	16.00
GROUP 3.....	\$ 23.81	16.00

LABORER CLASSIFICATIONS

GROUP 1: Building and construction laborers, scaffold builders (other than for masons of plasterers), mechanic tenders, window washers and cleaners, railroad workers, masonry wall washers, portable water pumps with discharge up to 3 inches, signal & flag person, Waterproofing, hauling of creosote lumber or like treated material (excluding railroad material), asphalt rakers and lutemen, kettlemen, air tool operator, pneumatic tool operator, air & electric vibrators and chipping hammer operator, earth compactors, jackman & sheetmen in ditches more than 6 feet deep, laborers in ditches 6' deep or deeper, assembly of uncrete pump, tile layers (sewer or field), sewer pipe layers, motor- driven wheelbarrows and concrete buggies, hyster operator, pumpcrete assemblers, core drill operator, cement, lime or silica clay handlers, handling of toxic materials damaging to clothing, pneumatic spikers, deck engine & winch operator, water main & cable ducking, screed man or screw operator on asphalt paver, chain saw & demolition saw operator, concrete conveyor assembler

GROUP 2: Plaster tenders; mortar mixers; welders (acetylene or electric); cutting torch or burner; cement nozzle laborers; cement gun operators; scaffold builders for plasterers; scaffold builders for masons; water blast machine operator; Air tool Operators and all Pnuematic Tool

Operators, Air and Electric Vibrators and Chipping Hammer Operators; Asbestos removal; Hazardous waste removal; All Boiler Setters Laborers, including expeditors, bottom men, bell men, and Mason Tenders

GROUP 3: Dynamite men-drillers-air track or wagon drilling for explosives

 PAIN0047-003 06/01/2020

BARTHOLOMEW, BOONE, HAMILTON, HANCOCK, HENDRICKS, JOHNSON, MARION, MONROE, MORGAN AND SHELBY COUNTIES:

	Rates	Fringes
PAINTER		
Brush and Roller.....	\$ 26.23	15.55
Spray and Sandblasting.....	\$ 27.23	15.55

 PAIN0080-001 06/01/2020

BENTON, CARROLL, CASS, CLINTON, FOUNTAIN, MONTGOMERY TIPPECANOE AND WARREN COUNTIES

	Rates	Fringes
PAINTER		
Brush and Roller.....	\$ 25.05	17.53
Spray and Sandblasting.....	\$ 26.00	17.53

 PAIN0091-005 06/01/2020

FULTON COUNTY

	Rates	Fringes
PAINTER		
Brush & Roller, Drywall Taping & Finishing, Vinyl/Paper Hanging.....	\$ 27.00	16.36
Spray.....	\$ 27.50	16.36

 PAIN0460-002 06/01/2020

WHITE COUNTY

Rates Fringes

Painters:

Brush & Roller.....	\$ 37.85	26.21
Drywall Finisher.....	\$ 35.85	26.21

PAIN0469-001 06/01/2020

ADAMS, ALLEN, DEKALB, GRANT, HUNTINGTON, NOBLE, STEUBEN,
WABASH, WELLS, and WHITLEY COUNTIES

Rates Fringes

Painters:

Brush, Roller, Paperhanger, & Drywall Finishing.....	\$ 22.86	14.30
Lead Abatement.....	\$ 27.66	14.30
Spray & Sandblast Pot Tenders and Ground Personnel.....	\$ 22.86	14.30
Spray, Sandblast, Power Tools, Waterblast, & Steam Cleaning.....	\$ 22.86	14.30

PAIN0669-001 05/01/2021

BLACKFORD, DELAWARE, FAYETTE, FRANKLIN, HENRY, HOWARD, JAY,
MADISON, MIAMI, RANDOLPH, RUSH, TIPTON, UNION and WAYNE COUNTIES

Rates Fringes

Painters:

Brush; Roller; Paperhanging; Drywall Finishers.....	\$ 21.70	14.79
Spray/Waterblasting; Sandblasting.....	\$ 22.70	14.79

PAIN1165-010 07/01/2020

FULTON COUNTY

	Rates	Fringes
GLAZIER.....	\$ 29.56	18.48

PAIN1165-013 07/01/2021

ADAMS, ALLEN, BLACKFORD, DEKALB, GRANT, HUNTINGTON, JAY, NOBLE,
STEUBEN, WABASH, WELLS, WHITLEY

	Rates	Fringes
GLAZIER.....	\$ 27.42	15.55

PAIN1165-016 01/01/2021

BARTHOLOMEW, BENTON, BOONE, CARROLL, CASS, CLINTON, DELAWARE,
FOUNTAIN, HAMILTON, HANCOCK, HENDRICKS, HOWARD, JOHNSON,
MADISON, MARION, MIAMI, MONROE, MONTGOMERY, MORGAN, SHELBY,
TIPPECANOE, TIPTON, WARREN, and WHITE COUNTIES

	Rates	Fringes
GLAZIER.....	\$ 29.36	17.42

PLAS0101-002 06/01/2018

FULTON COUNTY

	Rates	Fringes
CEMENT MASON/CONCRETE FINISHER...	\$ 28.84	14.48
PLASTERER.....	\$ 26.81	12.40

PLAS0101-003 06/01/2014

ADAMS, ALLEN, DEKALB, HUNTINGTON, NOBLE, STEUBEN, WELLS AND
WHITLEY COUNTIES

	Rates	Fringes
CEMENT MASON/CONCRETE FINISHER...	\$ 23.38	11.94

PLASTERER.....\$ 25.69 11.75

PLAS0692-006 06/01/2016

AREA #46

BARTHOLOMEW, BOONE, HENDRICKS, JOHNSON, MARION, MONROE, MORGAN
and SHELBY COUNTIES

Rates Fringes

PLASTERER.....\$ 25.04 13.23

PLAS0692-007 06/01/2017

AREA #75

MONROE COUNTY

Rates Fringes

CEMENT MASON/CONCRETE FINISHER...\$ 25.75 13.50

PLAS0692-009 04/01/2020

AREA #83

BLACKFORD, DELAWARE, GRANT, HAMILTON (Northern Part), HANCOCK
(Northern Part), JAY, MADISON, TIPTON, and WABASH COUNTIES

Rates Fringes

CEMENT MASON/CONCRETE FINISHER...\$ 26.00 15.54
PLASTERER.....\$ 25.49 11.95

PLAS0692-015 06/01/2016

AREA #121

BENTON, CARROLL, CASS, CLINTON, FOUNTAIN, HOWARD, MIAMI,
MONTGOMERY, TIPPECANOE, WARREN, WHITE and VERMILLION (Northern
Part) COUNTIES

	Rates	Fringes
CEMENT MASON/CONCRETE FINISHER...	\$ 26.10	17.30
PLASTERER.....	\$ 27.71	16.40

 PLAS0692-023 06/01/2018

AREA #532

BOONE, HAMILTON (SOUTH HALF OF COUNTY NORTH TO NEW ROUTE INDIANA #32 INCLUDING NOBLESVILLE); HANCOCK COUNTY (SOUTHERN AND WESTERN PART OF HANCOCK COUNTY, NORTH TO BUT NOT INCLUDING FORTVILLE); HENDRICKS, JOHNSON, MARION and MORGAN COUNTIES

	Rates	Fringes
CEMENT MASON/CONCRETE FINISHER...	\$ 26.45	18.11
Slip Form Shift Work.....	\$ 27.45	18.11
Swinging/Suspended Scaffold.	\$ 26.70	18.11

 PLAS0821-001 05/01/2019

BARTHOLEMEW AND SHELBY COUNTIES

	Rates	Fringes
CEMENT MASON/CONCRETE FINISHER...	\$ 24.58	14.99

 PLUM0136-006 04/01/2021

MONROE COUNTY

	Rates	Fringes
Plumbers and Pipefitters.....	\$ 38.97	19.76

 PLUM0157-002 07/01/2021

BENTON, CARROLL, CLINTON, FOUNTAIN, MONTGOMERY, TIPPECANOE, WARREN AND WHITE COUNTIES:

	Rates	Fringes
Plumbers and Pipefitters.....	\$ 39.43	20.85

PLUM0166-001 06/01/2020

ADAMS, ALLEN, BLACKFORD, DE KALB, GRANT, HUNTINGTON, NOBLE,
STEUBEN, WABASH, WELLS, and WHITLEY COUNTIES

	Rates	Fringes
Plumber and Steamfitter.....	\$ 38.16	17.46

PLUM0172-002 06/01/2021

CASS and FULTON COUNTIES

	Rates	Fringes
Plumber, Pipefitter, Steamfitter.....	\$ 35.76	21.51

PLUM0440-002 06/04/2021

BARTHOLOMEW, BOONE, HAMILTON, HANCOCK, HENDRICKS, HOWARD,
JOHNSON AND MARION COUNTIES; MIAMI COUNTY (SOUTH OF A STRAIGHT
LINE WHERE ROUTE 218 ENTERS W. BOUNDARY); MORGAN, SHELBY and
TIPTON COUNTIES

	Rates	Fringes
Plumbers and Pipefitters.....	\$ 40.92	17.84

PLUM0440-003 06/04/2018

DELAWARE, JAY and MADISON COUNTIES

	Rates	Fringes
Plumber and Steamfitter.....	\$ 37.67	16.79

ROOF0023-003 06/01/2020

ALLEN, DEKALB, NOBLE, STEUBEN, and WHITLEY COUNTIES

	Rates	Fringes
--	-------	---------

ROOFER

COMPOSITION.....	\$ 30.00	17.29
SLATE & TILE.....	\$ 31.50	17.29

ROOF0023-007 06/01/2020

FULTON COUNTY

Rates Fringes

ROOFER

COMPOSITION.....	\$ 30.00	17.29
SLATE & TILE.....	\$ 31.50	17.29

ROOF0023-010 06/01/2020

ADAMS, HUNTINGTON, MIAMI, WABASH, and WELLS COUNTIES

Rates Fringes

ROOFER

COMPOSITION.....	\$ 30.00	17.29
SLATE & TILE.....	\$ 31.50	17.29

ROOF0119-003 09/01/2021

BARTHOLOMEW, BOONE, HAMILTON, HANCOCK, HENDRICKS, JOHNSON, MARION, MONROE, MORGAN and SHELBY COUNTIES

Rates Fringes

Roofers:.....	\$ 27.80	11.75
---------------	----------	-------

ROOF0119-005 09/01/2021

Rates Fringes

ROOFER.....	\$ 27.80	11.75
-------------	----------	-------

SFIN0669-002 04/01/2020

Rates Fringes

SPRINKLER FITTER.....	\$ 40.41	23.63
-----------------------	----------	-------

SHEE0020-003 07/01/2020

	Rates	Fringes
Sheet metal worker (HVAC Duct Work).....	\$ 31.91	24.87

SHEE0020-004 07/01/2020

BARTHOLOMEW, BOONE, DELAWARE, HAMILTON, HANCOCK, HENDRICKS, JOHNSON, MADISON, MARION, MONROE, MORGAN, SHELBY AND TIPTON COUNTIES

	Rates	Fringes
Sheet metal worker (Including HVAC Duct Work).....	\$ 36.21	23.83

SHEE0020-016 07/01/2020

FULTON COUNTY

	Rates	Fringes
SHEET METAL WORKER.....	\$ 33.67	27.11

SHEE0020-020 07/01/2020

BENTON, CARROLL, CLINTON, FOUNTAIN, MONTGOMERY, TIPPECANOE, WARREN AND WHITE COUNTIES

	Rates	Fringes
Sheet metal worker (Including HVAC Duct Work).....	\$ 34.67	25.35

TEAM0135-001 04/01/2021

BARTHOLOMEW, BENTON, BLACKFORD, CARROLL, CASS, CLINTON, DELAWARE, FOUNTAIN, GRANT, HOWARD, JAY, MADISON, MARION, MIAMI, MONROE, MONTGOMERY, TIPPECANOE, TIPTON, WABASH, WARREN, & WHITE COUNTIES

Rates Fringes

TRUCK DRIVER

GROUP 1.....	\$ 30.40	.37+A
GROUP 2.....	\$ 30.90	.37+A
GROUP 3.....	\$ 31.10	.37+A
GROUP 4.....	\$ 31.25	.37+A
GROUP 5.....	\$ 31.75	.37+A

A: \$36.40 PER DAY & 450.00 PER WEEK.

TRUCK DRIVER CLASSIFICATIONS

GROUP 1: Single Axle Trucks, seven (7) cu. yds. or less than ten and one-half (10 1/2) tons, dumpsters, scoop-mobiles five (5) cu.yds. and under or less than seven and one-half (7 1/2) tons, mixer trucks three (3) cu.yds. and under, air compressors and welding machines, including those pulled by separate units, batch trucks-wet or dry- 2""34-E"" batches or less, truck driver helpers, warehousemen, mechanic's helpers, greasers and tiremen, all pick-up trucks and other vehicles. Drivers on dumpsters or similar dumpsters, mounted on four (4) wheel truck rated two (2) cu.yds. or less, and small pallet type fork-lift operator and drivers on pallet jacks or similar type equipment.

GROUP 2: Drivers on tandem axle eighteen (18) cu.yds. or twenty- four (24) tons gross, six (6) wheel trucks, Koehring or similar dumpsters, tract trucks, Euclids, hug bottom dumps, tournapulls, tounatrailers, tournarockers, or similar equipment when used for transportation purposes under nine (9) cu.yds. or less than thirteen and one-half (13 1/2) tons, tandems and semi-trailer service trucks, mixer trucks over three (3) cu.yds. and including six and one-half (6 1/2) cu.yds., fork lift, four (4) wheel A-frame trucks when used for transportation purposes, four (4) wheel winch trucks, pavement breakers, batch trucks-wet or dry- over 2 up to and including 4-""34-E"" batches two (2) men oil distributors, fork-lift under four (4) ton and vacuum trucks.

GROUP 3: Koehring or similar dumpsters, tract trucks, semi-trailer water trucks, Euclids, hug bottom dumps, tournapulls, tounatrailers, tournarockers, tractor trailers, tandems, Q- frame winch trucks, hydrolift trucks or similar equipment when used for transportation purposes,

mixer trucks over six and one-half (6 1/2) cu.yds, batch trucks wet or dry over 4 - "34-E" batches single equipment operated by employees withing this Bargaining unit. Six (6) wheel pole trailers and one (1) man oil distributors, fork-lift over four (4) ton and mobile mixers.

GROUP 4: Drivers on heavy equipment over sixteen (16) cu.yds. or twenty-four (24) ton, such as Koehring or similar dumpsters, tract trucks, Euclids, hug bottom dumps, tournapulls, tournarockers or similar equipment when used for transportation purposes, pole trailers over six (6) wheels, water pulls, low-boy trailers tandem axles, quad axle or more no-weight limitation, diesel and/or heavy equipment mechanics.

GROUP 5: Mechanic furnishing his own tools.

TEAM0135-012 04/01/2021

HAMILTON, HANCOCK, HENDRICKS, JOHNSON, MORGAN, AND SHELBY COUNTIES

	Rates	Fringes
TRUCK DRIVER		
Group 1.....	\$ 30.40	.42+A
Group 2.....	\$ 30.90	.42+A

A: \$36.40 PER DAY & \$450.00 PER WEEK

TRUCK DRIVER CLASSIFICATIONS:

GROUP 1: Truck Driver Helper

GROUP 2: Truck Driver on Fork Lifts & Truck Driver on Tandem, Semi, or Tri-axle

TEAM0364-002 06/01/2020

FULTON COUNTY

	Rates	Fringes
TRUCK DRIVER		

GROUP 1.....	\$ 28.95	A+B
GROUP 2.....	\$ 29.15	A+B
GROUP 3.....	\$ 29.35	A+B
GROUP 4.....	\$ 29.75	A+B

FOOTNOTE :

a. FRINGE BENEFITS: \$422.50 per week

B. HOLIDAYS: New Year's Day, Memorial Day, Fourth of July, Labor Day, Thanksgiving Day and Christmas Day.

TRUCK DRIVER CLASSIFICATIONS

- GROUP 1: Pick-up Trucks
- GROUP 2: Single Axle Trucks
- GROUP 3: Tandem, Tri-axle and Fuel Trucks
- GROUP 4: Semi-trailer Trucks

TEAM0414-001 07/01/2020

ADAMS, ALLEN, DEKALB, HUNTINGTON, NOBLE, STEUBEN, WELLS, AND WHITLEY COUNTIES

	Rates	Fringes
TRUCK DRIVER		
Group 1.....	\$ 32.23	781.86/WK
Group 2.....	\$ 32.42	781.86/WK
Group 3.....	\$ 32.52	781.86/WK
Group 4.....	\$ 32.62	781.86/WK
Group 5.....	\$ 32.32	781.86/WK

TRUCK DRIVER CLASSIFICATIONS:

- GROUP 1: Truck Driver Helper
- GROUP 2: Truck Driver on Fork Lifts
- GROUP 3: Truck Driver on Tandem, Semi, or Tri-axle
- GROUP 4: Truck Driver on Water Trucks and Mechanic
- GROUP 5: Truck Driver Euclid/Earth Movers

WELDERS - Receive rate prescribed for craft performing

operation to which welding is incidental.

=====

Note: Executive Order (EO) 13706, Establishing Paid Sick Leave for Federal Contractors applies to all contracts subject to the Davis-Bacon Act for which the contract is awarded (and any solicitation was issued) on or after January 1, 2017. If this contract is covered by the EO, the contractor must provide employees with 1 hour of paid sick leave for every 30 hours they work, up to 56 hours of paid sick leave each year. Employees must be permitted to use paid sick leave for their own illness, injury or other health-related needs, including preventive care; to assist a family member (or person who is like family to the employee) who is ill, injured, or has other health-related needs, including preventive care; or for reasons resulting from, or to assist a family member (or person who is like family to the employee) who is a victim of, domestic violence, sexual assault, or stalking. Additional information on contractor requirements and worker protections under the EO is available at www.dol.gov/whd/govcontracts.

Unlisted classifications needed for work not included within the scope of the classifications listed may be added after award only as provided in the labor standards contract clauses (29CFR 5.5 (a) (1) (ii)).

The body of each wage determination lists the classification and wage rates that have been found to be prevailing for the cited type(s) of construction in the area covered by the wage determination. The classifications are listed in alphabetical order of "identifiers" that indicate whether the particular rate is a union rate (current union negotiated rate for local), a survey rate (weighted average rate) or a union average rate (weighted union average rate).

Union Rate Identifiers

A four letter classification abbreviation identifier enclosed in dotted lines beginning with characters other than "SU" or "UAVG" denotes that the union classification and rate were prevailing for that classification in the survey. Example:

PLUM0198-005 07/01/2014. PLUM is an abbreviation identifier of the union which prevailed in the survey for this classification, which in this example would be Plumbers. 0198 indicates the local union number or district council number where applicable, i.e., Plumbers Local 0198. The next number, 005 in the example, is an internal number used in processing the wage determination. 07/01/2014 is the effective date of the most current negotiated rate, which in this example is July 1, 2014.

Union prevailing wage rates are updated to reflect all rate changes in the collective bargaining agreement (CBA) governing this classification and rate.

Survey Rate Identifiers

Classifications listed under the "SU" identifier indicate that no one rate prevailed for this classification in the survey and the published rate is derived by computing a weighted average rate based on all the rates reported in the survey for that classification. As this weighted average rate includes all rates reported in the survey, it may include both union and non-union rates. Example: SULA2012-007 5/13/2014. SU indicates the rates are survey rates based on a weighted average calculation of rates and are not majority rates. LA indicates the State of Louisiana. 2012 is the year of survey on which these classifications and rates are based. The next number, 007 in the example, is an internal number used in producing the wage determination. 5/13/2014 indicates the survey completion date for the classifications and rates under that identifier.

Survey wage rates are not updated and remain in effect until a new survey is conducted.

Union Average Rate Identifiers

Classification(s) listed under the UAVG identifier indicate that no single majority rate prevailed for those classifications; however, 100% of the data reported for the classifications was union data. EXAMPLE: UAVG-OH-0010 08/29/2014. UAVG indicates that the rate is a weighted union average rate. OH indicates the state. The next number, 0010 in the example, is an internal number used in producing the wage determination. 08/29/2014 indicates the survey completion date for the classifications and rates under that identifier.

A UAVG rate will be updated once a year, usually in January of each year, to reflect a weighted average of the current negotiated/CBA rate of the union locals from which the rate is based.

WAGE DETERMINATION APPEALS PROCESS

1.) Has there been an initial decision in the matter? This can be:

- * an existing published wage determination
- * a survey underlying a wage determination
- * a Wage and Hour Division letter setting forth a position on a wage determination matter
- * a conformance (additional classification and rate) ruling

On survey related matters, initial contact, including requests for summaries of surveys, should be with the Wage and Hour Regional Office for the area in which the survey was conducted because those Regional Offices have responsibility for the Davis-Bacon survey program. If the response from this initial contact is not satisfactory, then the process described in 2.) and 3.) should be followed.

With regard to any other matter not yet ripe for the formal process described here, initial contact should be with the Branch of Construction Wage Determinations. Write to:

Branch of Construction Wage Determinations
Wage and Hour Division
U.S. Department of Labor
200 Constitution Avenue, N.W.
Washington, DC 20210

2.) If the answer to the question in 1.) is yes, then an interested party (those affected by the action) can request review and reconsideration from the Wage and Hour Administrator (See 29 CFR Part 1.8 and 29 CFR Part 7). Write to:

Wage and Hour Administrator
U.S. Department of Labor
200 Constitution Avenue, N.W.

Washington, DC 20210

The request should be accompanied by a full statement of the interested party's position and by any information (wage payment data, project description, area practice material, etc.) that the requestor considers relevant to the issue.

3.) If the decision of the Administrator is not favorable, an interested party may appeal directly to the Administrative Review Board (formerly the Wage Appeals Board). Write to:

Administrative Review Board
U.S. Department of Labor
200 Constitution Avenue, N.W.
Washington, DC 20210

4.) All decisions by the Administrative Review Board are final.

=====

END OF GENERAL DECISION"

DIFFUSERS, REGISTERS, AND GRILLES

23 37 13

PART ONE – GENERAL

1.01 Submittals

1. Product Data: For each type of product indicated.

PART TWO – PRODUCTS

2.01 Registers and Grilles

- A. Registers and Grilles:
 1. Manufacturers: Subject to compliance with requirements, provide products by one of the following:
 - a. Titus.
 - b. Carnes.
 - c. Nailor Industries Inc.
 - d. Price Industries.
 - e. Krueger.
 - f. Metalaire.
 2. General: Except as otherwise indicated, provide manufacturer's standard registers and grilles where shown; of size, shape, capacity and type indicated; constructed of materials and components as indicated, and as required for complete installation.
 3. Wall and Ceiling Compatibility: Provide registers and grilles with border styles that are compatible with adjacent wall and ceiling systems, and that are specifically manufactured to fit into construction with accurate fit and adequate support.

2.04 Source Quality Control

- A. Verification of Performance: Rate diffusers, registers, and grilles according to ASHRAE 70, "Method of Testing for Rating the Performance of Air Outlets and Inlets".

PART THREE - EXECUTION

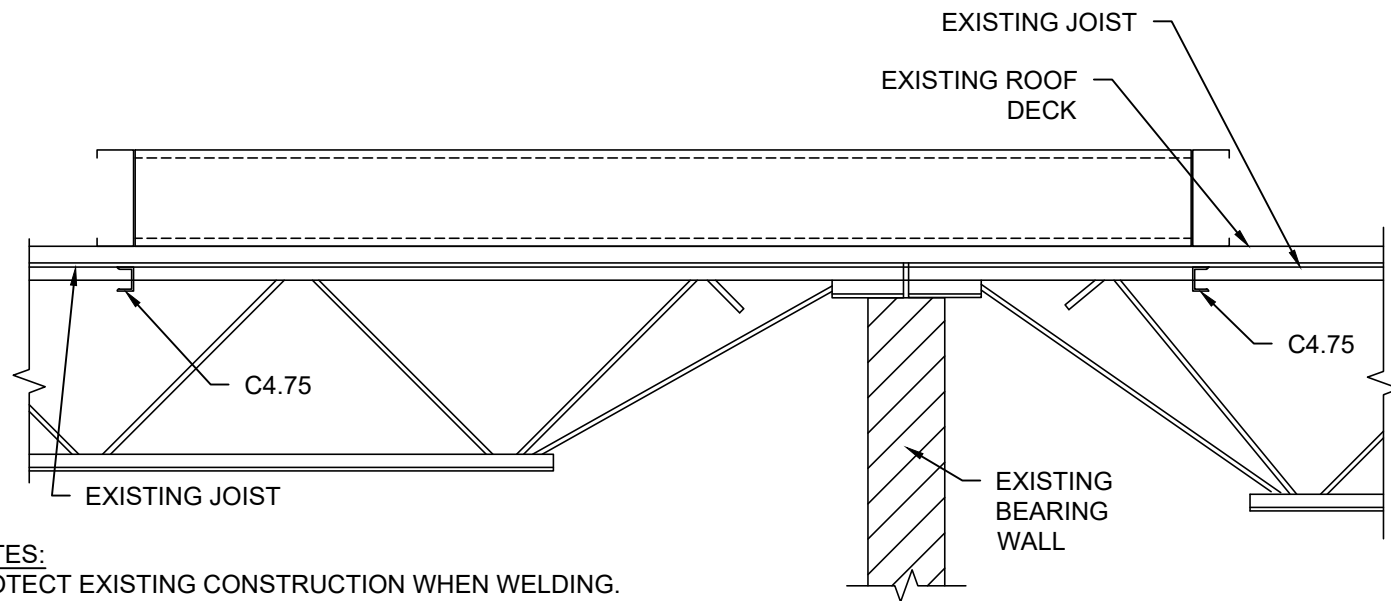
3.01 Installation

- A. Install diffusers, registers, and grilles level and plumb.
- B. Install diffusers, registers, and grilles with airtight connections to ducts.
- C. Diffusers, registers, and grilles shall be steel, off-white color unless otherwise indicated.

3.02 Adjusting

- A. After installation, adjust diffusers, registers, and grilles to air patterns indicated, or as directed, before starting air balancing.

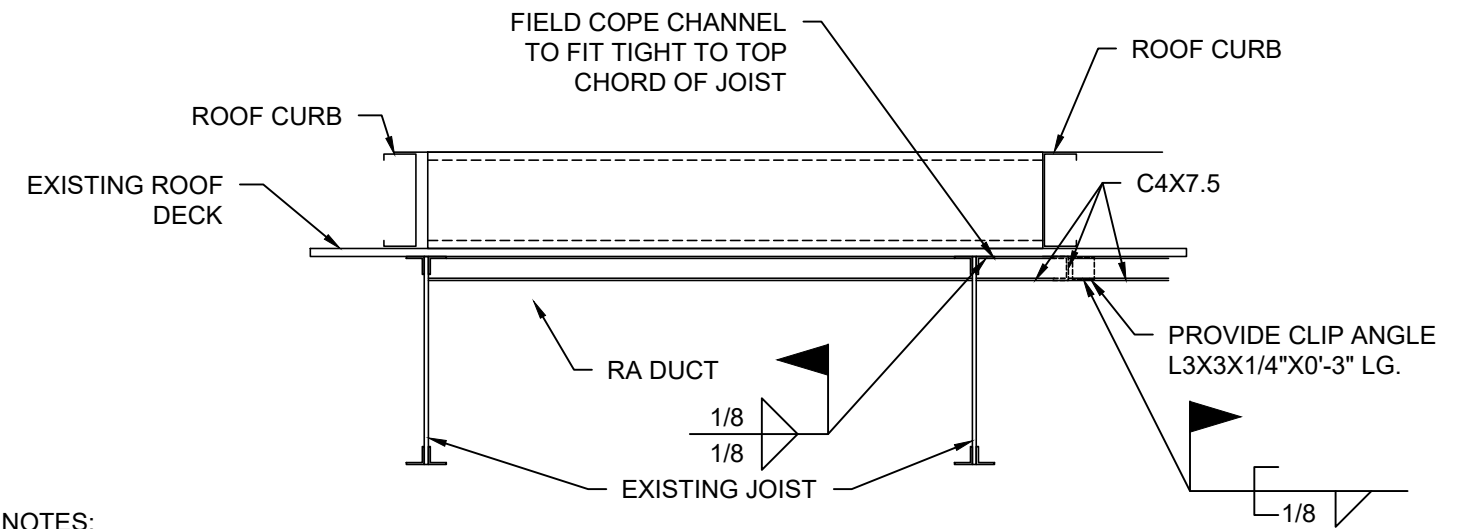
END OF SECTION



NOTES:
PROTECT EXISTING CONSTRUCTION WHEN WELDING.
BOLTING OR CLAMPING MAY BE SUBMITTED FOR
APPROVAL IN LIEU OF WELDING. 4X4X1/4 INCH ANGLES
MAY BE SUBSTITUTED FOR C4X7.5 CHANNELS

TYPICAL LONGITUDINAL CURB DETAIL

SCALE: NONE

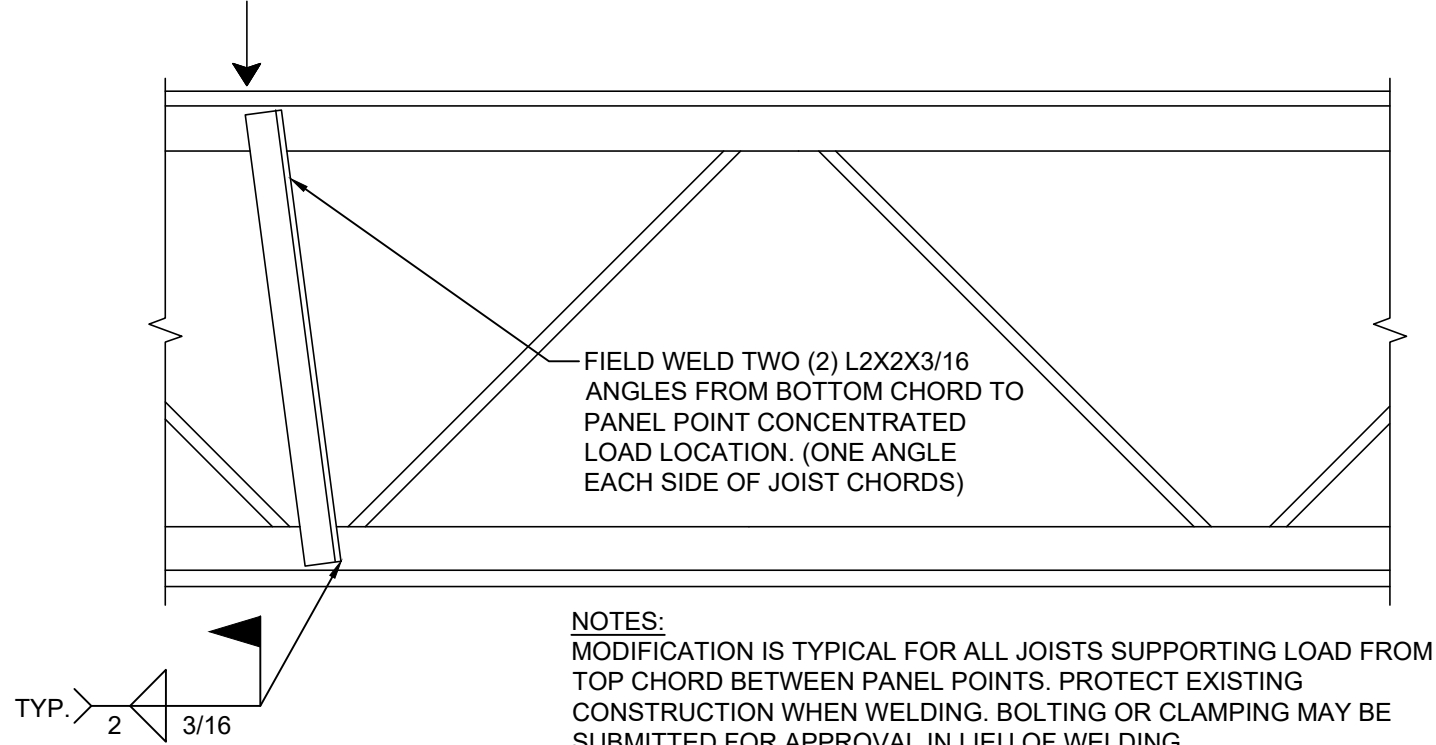


NOTES:
PROTECT EXISTING CONSTRUCTION WHEN WELDING.
BOLTING OR CLAMPING MAY BE SUBMITTED FOR
APPROVAL IN LIEU OF WELDING. 4X4X1/4 INCH ANGLES
MAY BE SUBSTITUTED FOR C4X7.5 CHANNELS

TYPICAL TRANSVERSE CURB SUPPORT DETAIL

SCALE: NONE

EQUIPMENT CURB LOAD



TYPICAL JOIST REINFORCEMENT

SCALE: NONE